



FURUNO®

8-gradation super clear picture, Easy operation by programmable function keys

10-INCH DAYLIGHT RADAR

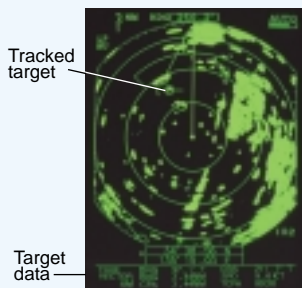
Model 1832

- 4 kW output, 36 nm range
- Rugged die-cast, waterproof housing
- 3 NMEA 0183 ports (2 inputs and 1 output)
- New reduced-windage compact radome
- User-programmable function keys
- Automatic optimization of radar picture
- Newly enhanced short range performance
- Cursor position and radar system data output (TTM target data with ARP-10)
- Head-up, Course-up, North-up and True Motion
- Economy Mode, Guard Zone Alarm* and Watch Mode
- Optional Autoplotter ARP-10 (10 targets auto/manual acquisition and auto tracking)

* US patent No.5,032,842



Autoplotter ARP-10 (option)



Heading and speed data required

Optional Autoplotter ARP-10 acquires 5 targets automatically plus 5 targets manually, or 10 targets manually. All acquired targets are automatically tracked with displays of range/bearing, speed/course, closest point of approach (CPA), time to CPA (TCPA) of an operator selected target. Thus, it greatly reduces the navigator's workload and enhances normal radar navigation.

The FURUNO MODEL 1832 is a revolutionary 4 kW compact radar designed for small fishing boats and pleasure craft. Radar images are painted in 8 gradations of green on the 10-inch CRT.

The MODEL 1832 has a variety of standard features usually found in commercial radars like dual EBLs and EVRMs, Echo Trails, Guard Zone Alarm*, Off-center and Watch Mode. Automatic control of receiver tuning and anti-clutter ensures optimum performance and target detection allowing simple radar operation. The Guard Zone Alarm* generates audio and visual alarms when a target comes within a user-defined area. This alarm system can also be switched to the Anchor Watch Mode where an alarm is generated when a

target leaves the area. The Economy Mode feature reduces power consumption during stand-by.

When connected with appropriate nav sensors outputting data in NMEA 0183 format, the MODEL 1832 can display the following information: ship's position in L/L or Loran-C TDs, cursor position readout in L/L, ship's speed, course and range/bearing to the targeted waypoint, XTE, EBL readout in true bearing and a Lollipop waypoint mark. In addition, you can select North-up, Course-up and True Motion presentations as well as Head-up. The cursor position target data (TLL) and radar system data (RSD) can be outputted in NMEA 0183 format to a compatible video plotter or computer. Tracked target data (TTM) can also be outputted.

SPECIFICATIONS OF MODEL 1832

ANTENNA RADIATOR

1. **Type** 55-cm hybrid array
2. **Rotation Speed** 24 rpm typical
3. **Wind Load** Relative wind 100 knots
4. **Beamwidth** Hor: 3.9°, Vert: 20° typical

RF TRANSCEIVER

1. **Frequency** 9410 ± 30 MHz (X-band)
2. **Pulse length & PRR**
 0.08 μs/2100 Hz (0.125, 0.25, 0.5, 0.75, 1, 1.5* nm)
 0.3 μs/1200 Hz (1.5*, 2, 3* nm)
 0.8 μs/600 Hz (3*, 4, 6, 8, 12, 24, 16, 36 nm)
** Pulse length & PRR for 1.5 and 3 nm ranges can be selected in menu*
3. **Peak Output Power** 4 kW nominal
4. **Mixer and Local Oscillator** Microwave Integrated Circuit
5. **IF** 60 MHz
 Bandwidth: 25 MHz (0.08/0.3 μs), 3 MHz (0.8 μs)
6. **Noise Figure** 9 dB nominal

DISPLAY UNIT

1. **Type**
 10-inch, green phosphor CRT (8-level quantization)
 481 (H) x 640 (V) dots
2. **Display Modes**
 Head-up, Course-up*, North-up*, True Motion**
** Heading input required ** Heading and speed inputs required*
3. **Range Scales (nm)**
 Range: 0.125, 0.25, 0.5, 0.75, 1, 1.5, 2, 3, 4, 6, 8, 12, 16, 24, 36
 Ring: 0.0625, 0.125, 0.125, 0.25, 0.25, 0.5, 0.5, 1, 1, 2, 2, 3, 4, 6, 12
4. **Echo Trail**
 Interval: 15 s, 30 s, 1 min, 3 min, 6 min, 15 min, 30 min or continuous
5. **Interface** (NMEA 0183 format) - -: any talker (menu selection)
 Input
 \$-APB, \$-BWC, \$-BWR, \$-DBK, \$-DBS, \$-DBT, \$-DPT, \$-GGA,
 \$-GLC, \$-GLL, \$-GTD, \$-HDG, \$-HDM, \$-HDT, \$-MDA,
 \$-MTW, \$-RMA, \$-RMB, \$-RMC, \$-VTG, \$-VHW, \$-XTE
 Output:
 \$RATLL, \$RARSD, &RATTM (ARP-10 required)
6. **Autoplotter ARP-10 (Built-in option)**
 Acquisition: 5 auto + 5 manual, or 10 manual
 Tracking: Auto
 Display: Speed, course, Range/bearing and CPA/TCPA
(Heading data in AD-10 format and speed data inputs required)

ENVIRONMENT (IEC945 test method)

- Temperature: -15°C to +55°C (Display unit)
 -25°C to +70°C (Antenna unit)
- Waterproofing: IEC 529 IPX5, USCG CFR-46 (Display unit)
 IEC 529 IPX6 (Antenna unit)

POWER SUPPLY

- 10.2 to 40.0 VDC, 52 W (28 W in economy mode)
- 115/230 VAC with optional rectifier PR-62

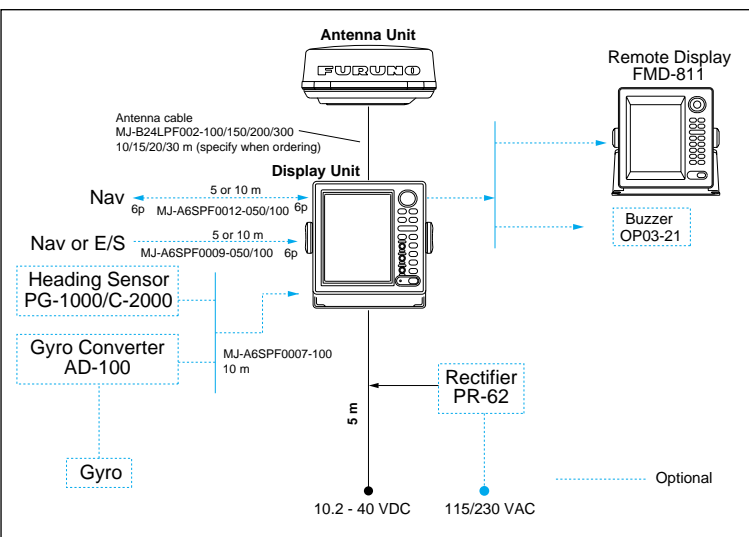
EQUIPMENT LIST

Standard

- | | |
|--|--------|
| 1. Display Unit (RDP-118) | 1 unit |
| 2. Radome Antenna Unit (RSB-0071) | 1 unit |
| 3. Antenna Cable (MJ-B24LPF0002-100/150/200/300),
10/15/20/30 m (Specify when ordering) | |
| 4. Power Cable (03S9322-0), 5 m | |
| 5. Standard Spare Parts and Installation Materials | 1 set |

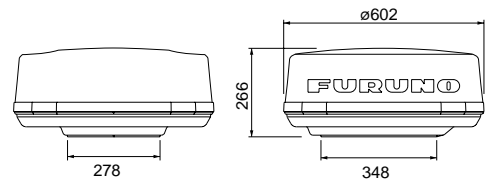
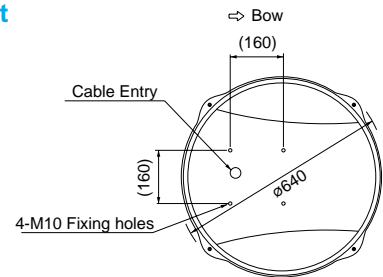
Optional

1. Antenna Bracket OP03-92
2. Rectifier PR-62
3. Autoplotter ARP-10
4. Data Cable
 MJ-A6SPF0012-050 (5 m), MJ-A6SPF0012-100 (10 m),
 MJ-A6SPF0011-050 (5 m), MJ-A6SPF0011-100 (10 m)
5. Compass Cable MJ-A6SPF0007-100 (10 m)
6. Buzzer OP03-21
7. Display Hood with Lens 03-121-1500
8. Flushmount Kit OP03-145
9. Radar Remote Display FMD-811
10. Heading Sensor PG-1000



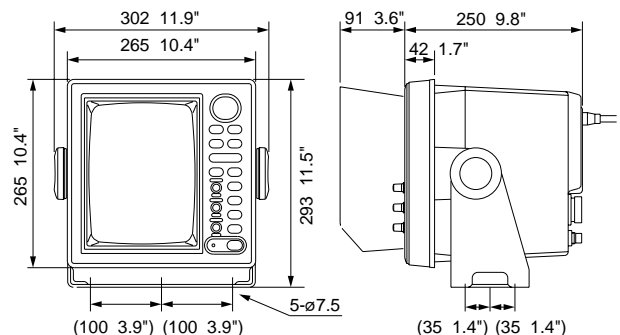
Antenna Unit

8 kg 17.6 lbs



Display Unit

8 kg 17.6 lbs



SPECIFICATIONS SUBJECT TO CHANGE WITHOUT NOTICE

01035KS Printed in Japan

Catalogue No. R-160d



The future today with FURUNO's electronics technology.

FURUNO ELECTRIC CO., LTD.

9-52 Ashihara-cho, Nishinomiya City, Japan Telephone: +81 (0)798 65-2111
 Telex: 5644-325, Telefax: +81 (0)798 65-4200, 66-4622, 66-4623