

NOW 4 KW!

FURUNO®

Super clear picture, Easy operation using programmable function keys

10-INCH DAYLIGHT RADAR

MODEL 1932 MARK-2



- 4 kW transmitter output, 16 range scales, 0.125 - 48nm
- Rugged die-cast, display housing
- 3 data ports
- User-programmable function keys
- Automatic optimization of radar picture
- Enhanced short range performance
- Cursor position data, tracked target data* and radar system data output (*TTM target data output with optional ARP-10)
- Head-up, Course-up, North-up and True Motion Presentations
- Economy Power Mode, Guard Zone Alarm* and Watch Mode
- Optional Autoplotter ARP-10** (10 targets auto/manual acquisition and auto tracking)



*US patent No. 5,032,842

**Heading and speed data input required

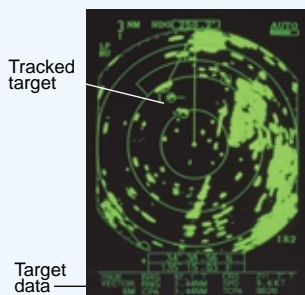
The FURUNO MODEL 1932 MARK-2 is a remarkable 4 kW radar designed for fishing boats and pleasure craft. Radar images are painted in 8 gradations of green on the daylight bright 10-inch CRT.

The MODEL 1932 MARK-2 has a variety of standard features usually found only in commercial radars like dual EBLs and VRMs, Echo Trails, Guard Zone Alarm*, Off-center and a Watch Mode. Automatic control of

receiver tuning and anti-clutter ensures optimum system performance, target detection and simplified radar operation.

The Guard Zone Alarm* generates audio and visual alarms when a target enters a user-defined area. This alarm system can be switched to the Anchor Watch Mode, where an alarm is generated when a target leaves the area. The Economy Mode feature reduces power consumption during stand-by.

Autoplotter ARP-10 (option)



Optional Autoplotter ARP-10 acquires 5 targets automatically plus 5 targets manually, or 10 targets manually. All acquired targets are automatically tracked with numerical displays of range/bearing, speed/course, closest point of approach (CPA), time to CPA (TCPA) of an operator selected target. The Autoplotter greatly reduces the navigator's workload and enhances normal radar navigation. (Heading and speed data input required)

When connected with appropriate nav sensors outputting data in NMEA 0183 format, the MODEL 1932 MARK-2 can display the following information: ship's position in L/L or Loran-C TDs, cursor position readout in L/L, ship's speed, course and range/bearing to the targeted waypoint, XTE, EBL readout in true bearing and a Lollipop waypoint mark. In addition, you can select North-up, Course-up and True Motion presentations as well as Head-up. The cursor target L/L (TLL) and radar system data (RSD) can be output in NMEA 0183 format to a compatible video plotter or computer.

A tracked target message (TTM) can also be output from the optional ARP-10.



© The future today with FURUNO's electronics technology.

FURUNO ELECTRIC CO., LTD.

9-52 Ashihara-cho, Nishinomiya City, Japan Telephone: +81 (0)798 65-2111
Telefax: +81 (0)798 65-4200, 66-4622

Catalogue No. R-168e

SPECIFICATIONS OF MODEL 1932 MARK-2

ANTENNA RADIATOR

1. **Type** 3.5-ft center-fed waveguide slotted array
2. **Rotation Speed** 24 / 48 rpm
3. **Wind Load** Relative wind 100 knots (24 rpm)
Relative wind 70 knots (48 rpm)
4. **Beamwidth** Hor: 2.4°, Vert: 27°

RF TRANSCEIVER

1. **Frequency** 9410 ± 30 MHz (X-band)
2. **Pulselength & PRR**
0.08 µs/2100 Hz (0.125, 0.25, 0.5, 0.75, 1, 1.5* nm)
0.3 µs/1200 Hz (1.5*, 2, 3* nm)
0.8 µs/600 Hz (3*, 4, 6, 8, 12, 24, 16, 36, 48 nm)
** Pulselength & PRR for 1.5 and 3 nm ranges can be selected in menu*
3. **Peak Output Power** 4 kW nominal
4. **Mixer, Local Oscillator** Microwave Integrated Circuit
5. **IF** 60 MHz
Bandwidth: 25 MHz (0.08/0.3 µs), 3 MHz (0.8 µs)
6. **Noise Figure** 6 dB nominal

DISPLAY UNIT

1. **Type** 10-inch, green phosphor CRT (8-level quantization)
481 (H) x 640 (V) dots
2. **Display Modes**
Head-up, Course-up*, North-up*, True Motion**
** Heading input required ** Heading and speed inputs required*
3. **Range Scales (nm)**
Range: .125, .25, .5, .75, 1, 1.5, 2, 3, 4, 6, 8, 12, 16, 24, 36, 48
Ring: .0625, .125, .125, .25, .25, .5, .5, 1, 1, 2, 2, 3, 4, 6, 12, 12
4. **Echo Trail**
Interval: 15 s, 30 s, 1 min, 3 min, 6 min, 15 min, 30 min or continuous
5. **Interface** (NMEA 0183 format ver 1.5/2.0) - -: any talker (menu selection)
Input
\$ - -APB, \$ - -BWC, \$ - -BWR, \$ - -DBK, \$ - -DBS, \$ - -DBT, \$ - -DPT, \$ - -GGA,
\$ - -GLC, \$ - -GLL, \$ - -GTD, \$ - -HDG, \$ - -HDM, \$ - -HDT, \$ - -MDA,
\$ - -MTW, \$ - -RMA, \$ - -RMB, \$ - -RMC, \$ - -VTG, \$ - -VHW, \$ - -XTE
Output:
\$RATLL, \$RARSD, \$RATTM (ARP-10 required)

6. **Autoplotter ARP-10 (Internal option)** For 24 rpm type only
Acquisition: 5 auto + 5 manual, or 10 manual
Tracking: Auto
Display: Speed, course, Range/bearing and CPA/TCPA
(Heading data in AD-10 format and speed data inputs required)

ENVIRONMENT (IEC60945 test method)

- Temperature: -15°C to +55°C (Display unit)
-25°C to +70°C (Antenna unit)
Waterproofing: IEC 60529 IPX5, USCG CFR-46 (Display unit)
IEC 60529 IPX6 (Antenna unit)

POWER SUPPLY

- 10.8 - 41.6 VDC, 61 W (24 rpm), 67 W (48 rpm)
- 115/230 VAC with optional rectifier RU-3423

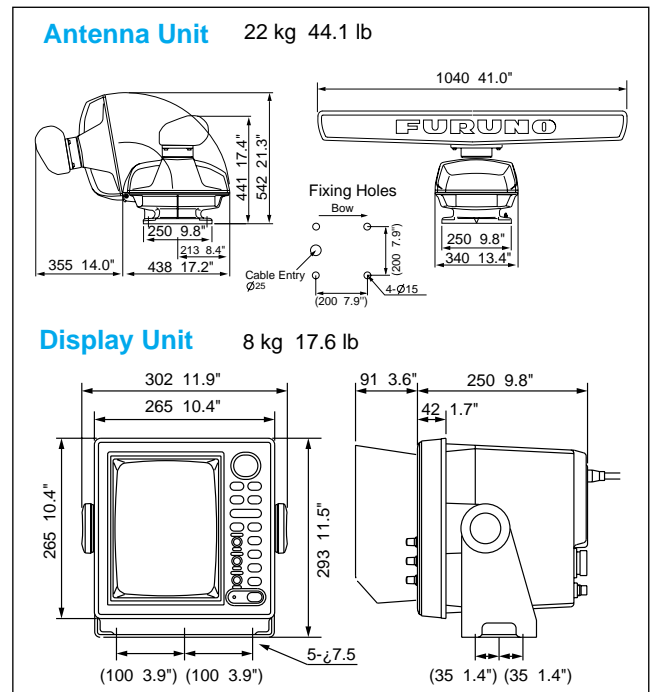
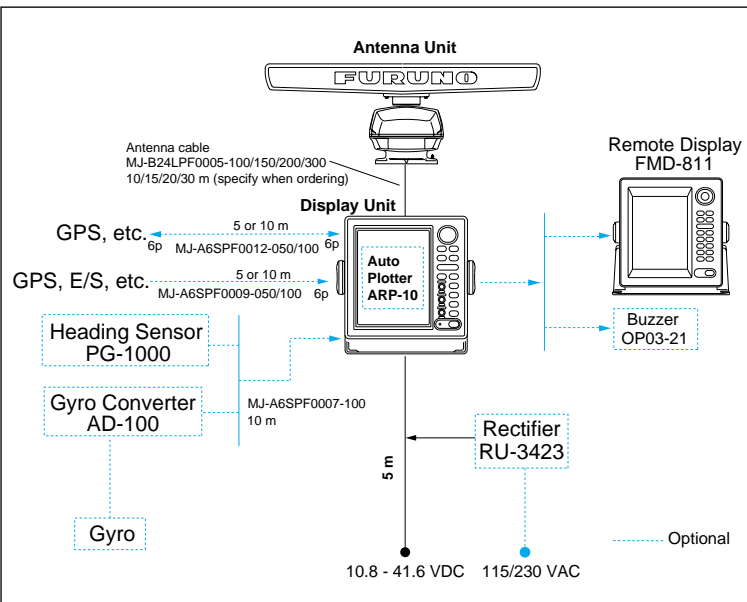
EQUIPMENT LIST

Standard

1. Display Unit RDP-118 1 unit
2. Antenna Unit (Specify when ordering) 1 unit
 - RSB-0082 (24 rpm)
 - RSB-0083 (48 rpm)
3. Antenna Cable MJ-B24LPF0005-100/150/200/300
10/15/20/30 m (Specify when ordering)
4. Power Cable (03S9332), 5 m
5. Standard Spare Parts and Installation Materials 1 set

Optional

1. Rectifier RU-3423
2. Autoplotter ARP-10 (24 rpm scanner only)
3. Data Cable
MJ-A6SPF0012-050 (5 m), MJ-A6SPF0012-100 (10 m)
MJ-A6SPF0009-050 (5 m), MJ-A6SPF0009-100 (10 m)
MJ-A6SPF0011-050 (5 m), MJ-A6SPF0011-100 (10 m)
4. Compass Cable MJ-A6SPF0007-100 (10 m)
5. Buzzer OP03-21
6. Display Hood with Lens 03-121-1500
7. Flushmount Kit OP03-145



SPECIFICATIONS SUBJECT TO CHANGE WITHOUT NOTICE

FURUNO U.S.A., INC.
Camas, Washington, U.S.A.
Phone: +1 360-834-9300 Telefax: +1 360-834-9400

FURUNO (UK) LIMITED
Denmead, Hampshire, U.K.
Phone: +44 2392-230303 Telefax: +44 2392-230101

FURUNO FRANCE S.A.
Bordeaux-Mérignac, France
Phone: +33 5 56 13 48 00 Telefax: +33 5 56 13 48 01

FURUNO ESPAÑA S.A.
Madrid, Spain
Phone: +34 91-725-90-88 Telefax: +34 91-725-98-97

FURUNO DANMARK AS
Hvidovre, Denmark
Phone: +45 36 77 45 00 Telefax: +45 36 77 45 01

FURUNO NORGE A/S
Ålesund, Norway
Phone: +47 70 102950 Telefax: +47 70 127021

FURUNO SVERIGE AB
Västra Frölunda, Sweden
Phone: +46 31-7098940 Telefax: +46 31-497093

FURUNO SUOMI OY
Helsinki, Finland
Phone: +358 9 341 7570 Telefax: +358 9 3417 5716

01035KS Printed in Japan

